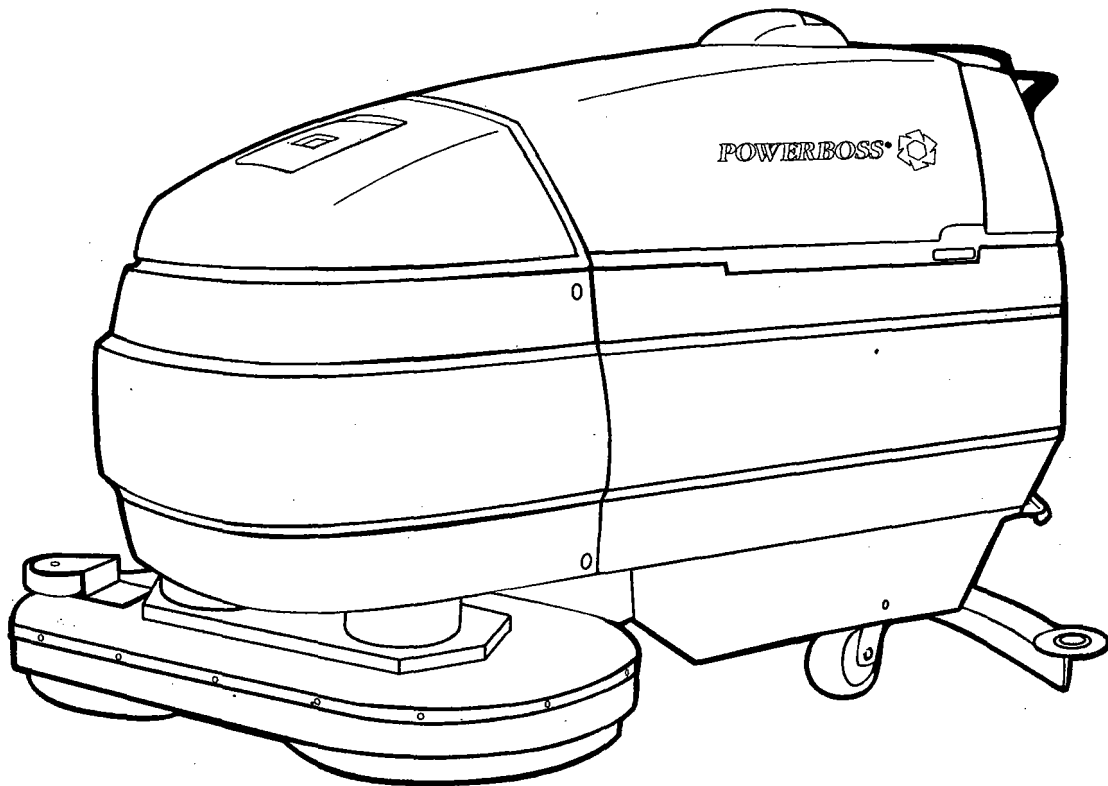


POWERBOSS®

PARTS MANUAL

SERVICE • PARTS

SB40/SB100



AAR POWERBOSS, INC.

Anderson & Taylor Streets / P.O. Box 1227

Aberdeen, NC 28315 U.S.A.

Phone: (910) 944-2105 / FAX: (910) 944-3199

EDITION 1
MARCH 1996
083365

TABLE OF CONTENTS

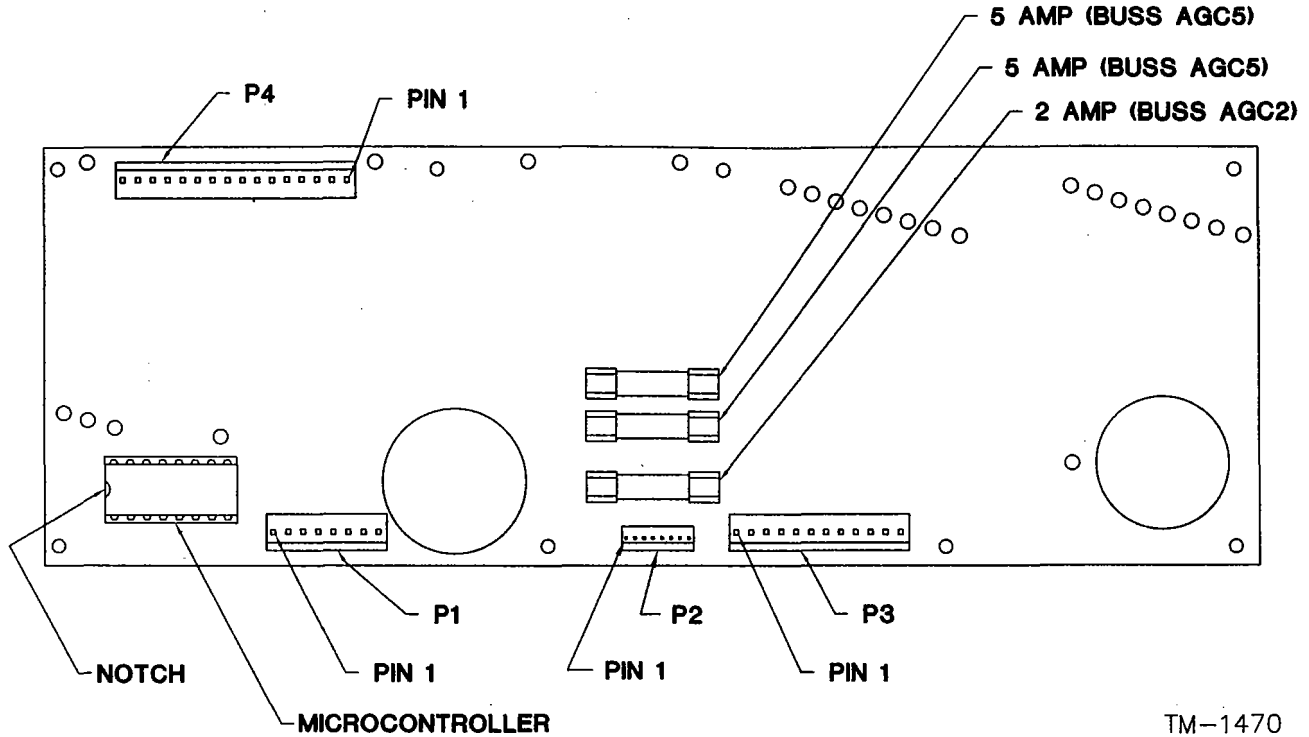
CIRCUIT BOARD CONNECTIONS	2
SOLUTION TANK	3,4
RECOVERY TANK	5,6
BACK PANEL	7,8
SYSTEM WIRE DIAGRAM	9,10
SQUEEGEE	11,12
BRUSH HEAD	13,14
REAR COVER	15,16
BRUSH COVER	17
FRAME	18
CHASSIS	19

RECOMMENDED SPARE PARTS

Recommended spare parts should be ordered and stocked to avoid possible down time in case of failure, breakage, or normal wear.

PART NO.	DESCRIPTION	QUANT.
035302	ASM,HOSE--SQUEEGEE,BLK,22"L	1
035129	ASM,HOSE--TANK,BLK,36"L	1
035179	ASM,HOSE--DUMP,1,50 DIA,BLK,40"L	1
039135	BRUSH, MTR--FOR 024360 MTR	2
039276	BRUSH,MTR--FOR 024372 MOTOR	4
039428	BRUSH,MTR--FOR 024373 VAC MTR	2
047484	KNOB	1
056632	RUBBER,SQUEEGEE--39" AUTO,FRONT	1
056633	RUBBER,SQUEEGEE--39" AUTO,REAR	1
056634	RUBBER,SQUEEGEE--39" AUTO,BACKUP	1
056466	GASKET,SQUEEGEE--.187 x 2, 9.75L	1
056793	FILTER,SCREEN--1.85ID,SS	1

CIRCUIT BOARD CONNECTIONS



TM-1470

CONNECTOR P1

PIN 1	TANK PROBE 1 (-), NO.57
PIN 2	TANK PROBE 2 (+), NO.58
PIN 3	BRUSH UP SWITCH (-), NO.17
PIN 4	BRUSH UP SWITCH (+), NO.18
PIN 5	BRUSH DOWN SWITCH (-), NO.23
PIN 6	BRUSH DOWN SWITCH (+), NO.22
PIN 7	ON/OFF HANDLE SWITCH (-), NO.55
PIN 8	ON/OFF HANDLE SWITCH (+), NO.56

PIN 4	(-) JUNCTION BAR, NO.60
PIN 5	(-) JUNCTION BAR, NO.61
PIN 6	(-) JUNCTION BAR, NO.62
PIN 7	WATER PUMP (+), NO.51
PIN 8	WATER PUMP, (-), NO.52
PIN 9	LOAD INDICATOR (+), NO.64
PIN 10	LOAD INDICATOR (-), NO.59
PIN 11	BATTERY LOW INDICATOR (+), NO.4
PIN 12	BATTERY LOW INDICATOR (-), NO.8

CONNECTOR P2 (KEYPAD)

Function Pin combinations:

GROUND	PIN 1
WATER FLOW SELECT	PIN 2 & 6
WATER FLOW ON/OFF	PIN 3 & 6
BRUSH PRESSURE (+)	PIN 4 & 6
BRUSH PRESSURE (-)	PIN 5 & 6
BRUSH INSTALL	PIN 2 & 7
BRUSH REMOVE	PIN 3 & 7
VACUUM ON/OFF	PIN 4 & 7
BRUSH ON/OFF	PIN 5 & 7

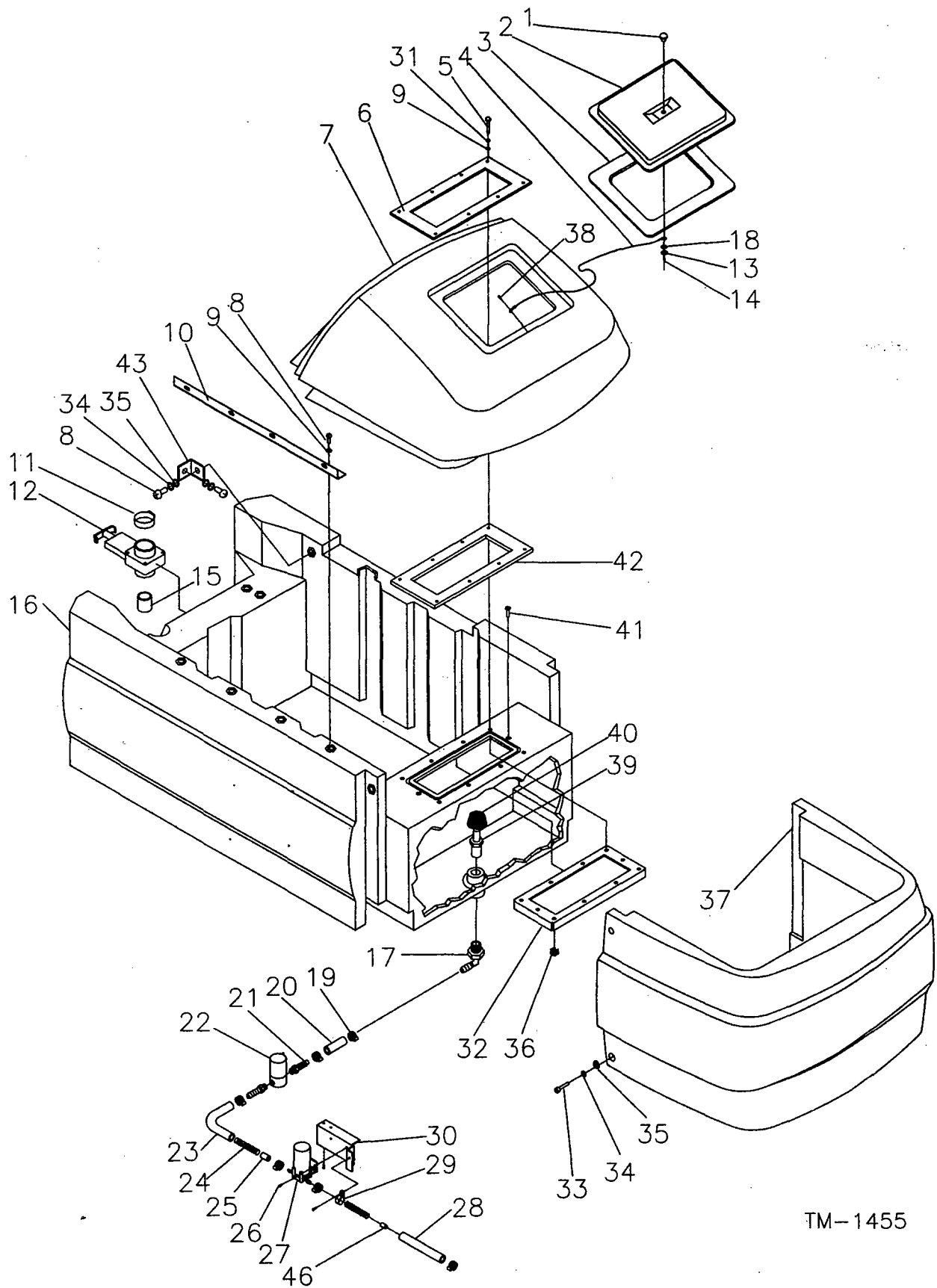
CONNECTOR P4

PIN 1	BRUSH DOWN SOLENOID (+), NO.33
PIN 2	BRUSH DOWN SOLENOID (-), NO.32
PIN 3	BRUSH UP SOLENOID (+), NO.25
PIN 4	BRUSH UP SOLENOID (-), NO.20
PIN 5	NOT USED
PIN 6	NOT USED
PIN 7	REMOVE SOLENOID (+), NO.47
PIN 8	REMOVE SOLENOID (-), NO.48
PIN 9	INSTALL SOLENOID (+), NO.43
PIN 10	INSTALL SOLENOID (-), NO.44
PIN 11	WATER VALVE (+), NO.49
PIN 12	WATER VALVE (-), NO.50
PIN 13	BRUSH ON/OFF SOLENOID (+), NO.45
PIN 14	BRUSH ON/OFF SOLENOID (-), NO.46
PIN 15	VAC SOLENOID (+), NO.53
PIN 16	VAC SOLENOID (-), NO.54

CONNECTOR P3

PIN 1	MAIN SOLENOID, NO.63
PIN 2	NOT USED
PIN 3	NOT USED

SB40/SB100 SOLUTION TANK ASSEMBLY



TM-1455

SB40/SB100 SOLUTION TANK PARTS LIST

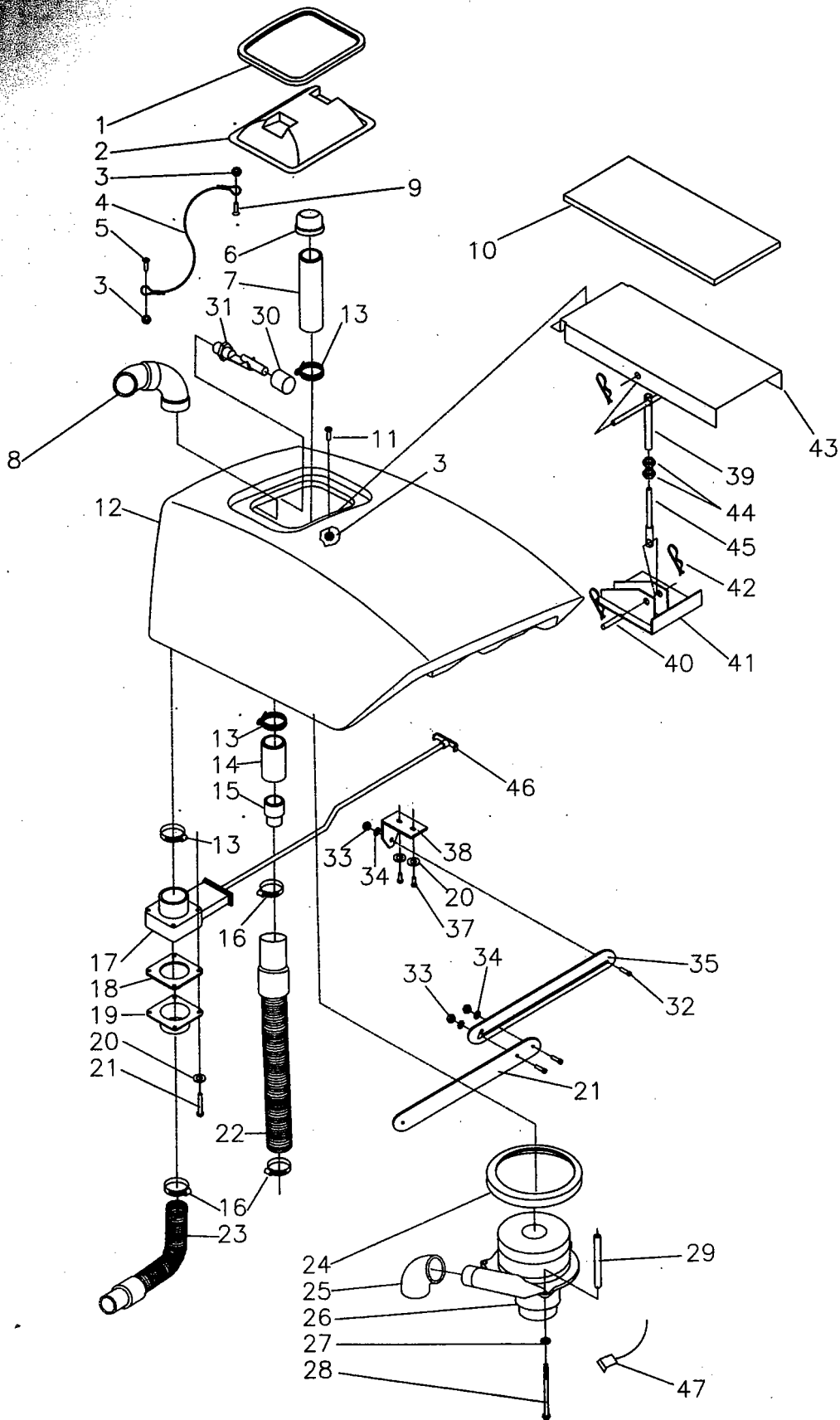
DET. PART NO.	DESCRIPTION	QUANT.	DET. PART NO.	DESCRIPTION	QUANT.
1	048022	1	24	053321	4
2	056250	1	25	056770	2
3	056379	1	26	005316	5
4	053793	1	27	035257	1
5	002477	8	28	057083	1
6	056524	1	29	056682	1
7	056967	1	30	056659	1
8	002247	4			
9	004207	12	31	002278	8
10	056514	1	32	056338	1
			33	002471	4
11	049999	1	34	004254	4
12	055070	1	35	004208	4
13	004253	1	36	005628	10
14	005456	1	37	056648	1
15	056593	1	38	002382	1
16	056370	1	39	051207	1
17	056231	1	40	057209	1
18	005407	1			
19	051117	6	41	002475	2
20	051514	1	42	056523	1
			43	056857	2
21	006142	2	45	002480	4
22	027145	1	46	057226	1
23	048505	1			

056370 - Without Front Mold
 056370-1 Front Mold on Tank

AVAILABLE ASSEMBLIES

035306 ASM, SOLUTION TANK--INCLUDES ITEMS 1-7, 11-18, 31-32, 36, 38-42

PRO/SB100 RECOVERY TANK ASSEMBLY



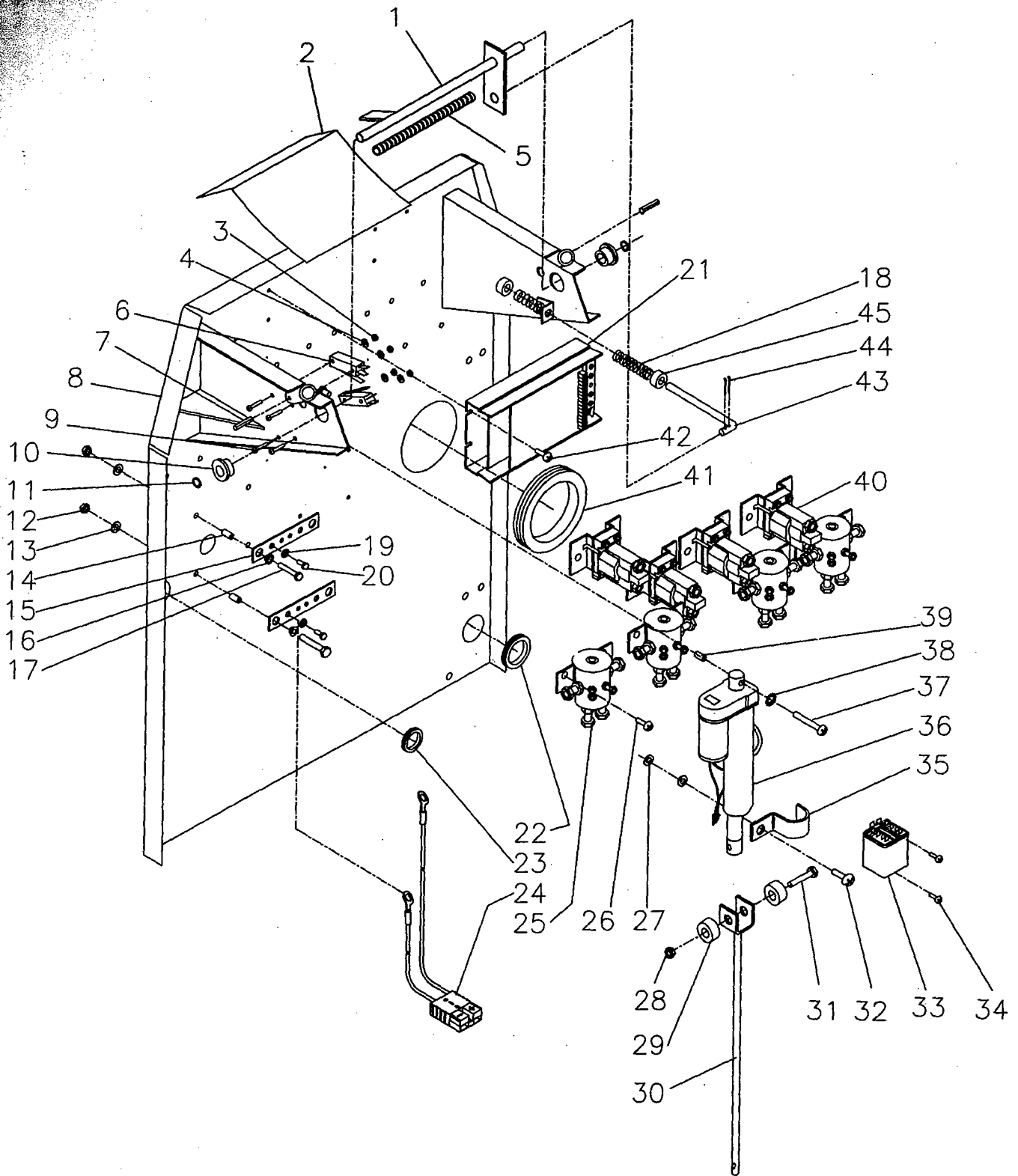
SB40/SB100 RECOVERY TANK PARTS LIST

DET. PART NO.	DESCRIPTION	QUANT.	DET. PART NO.	DESCRIPTION	QUANT.		
1	056379	GASKET,FOAM—EXTR.RECOVERY	1	24	E23788B	RING-MOTOR MOUNTING	1
2	057579	LID,DOMED—DURASCRUB,CLEAR	1	25	056676	ELBOW,PIPE—RS 98402,CUT OFF	1
3	005480	NUT,HEX LOCK— 10-24,NYLOC	3	26	035240	ASM,VAC MTR—36V,3-STAGE	1
4	056617	WIRE ROPE—.062DIA X6.00L	1	27	004254	WSHR LK .267ID.510OD.028T EXT	7
5	002382	SCR TPG F PAN HD 10-B X.500L	1	28	223213	SCR CAP HEX HD .250-20X4.00L	3
6	056793	FILTER,SCREEN—1.85ID,SS	1	29	056764	SPACER,PHEN—.265X.500,3.156L	3
7	055494	PIPE,PVC—1.50 SCH40 X 6.00L	1	30	057318	ADPTR,FLOAT—DURA SCRUB	1
8	056758	ASM,ELBOW—RECOVERY TANK	1				
9	002449	SCR MACH PAN HD 10-24X.875L,SS	4	31	057002	SWITCH,FLOAT W/WIRE	2
10	057076	GASKET,SUPPORT—33&39AUTO	1	32	002433	SCR SHLDR SOC HD .250X.500L	3
				33	222258	NUT,HEX—.250-20,SS	3
11	002491	SCR MACH FLAT HD 10-24X1LSS	1	34	005433	WSHR FLT .281ID.750OD.120T STL	3
12	057346	TANK,REC—MACH'D,SB34VS,100VS	1	35	057508-02	BAR,STL—11GA,W/SLOT,PLATED	1
13	049999	CLAMP,HOSE—2.25 MAX DIA,WORM	3	37	001273	SCR MACH RD HD 10-32X.500L	2
14	056675	TUBE,PVC—AUTO	1	38	057504-02	BRACKET,STL—11GA,PLATED	1
15	053894	FITTING—REDUCER,1.58-1.50,PLS	1	39	035326	WDMT,SUPPORT—AUTOS	1
16	046688	CLAMP,HOSE—1.75 MAX DIA,WORM	2	40	057026	PIN,STL—3/8"OD,SS	1
17	057337	VALVE,SLIDE—33SS	1				
18	054762	GASKET,FOAM—.187X2.87X2.87	1	41	035365	WDMT,VAC TANK—SUPPORT,33&39	1
19	035160	WDMT,DRAIN—RECOVERY TANK	1	42	004352	PIN,LOCK—.125 DIA WIRE	4
20	004253	WSHR LK .204ID.410OD.025T EXT	2	43	057075	PLATE,STL—VAC TANK SUPPORT	1
				44	003438	NUT,HEX JAM—.375-16,SST	2
21	057505-02	BAR,STL—11GA,PLATED	1	45	035327	WDMT,SUPPORT—REC TANK	1
22	035129	ASM,HOSE—TANK,1.50 DIA,BLK	1	46	057187	HANDLE,SLIDE VALVE—SERVICE	1
23	035179	ASM,HOSE—DUMP,BLK,1.50 DIA	1	47	039428	BRUSH,MTR—FOR 024373 VAC MTR	2

AVAILABLE ASSEMBLIES

035461 ASM, RECOVERY TANK--INCLUDES ITEMS 1-15, 17-21, 24-35, 37-47

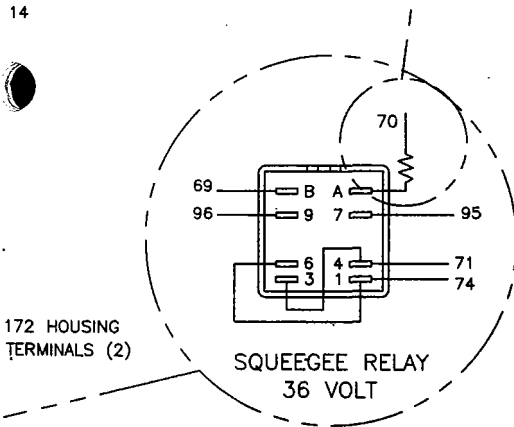
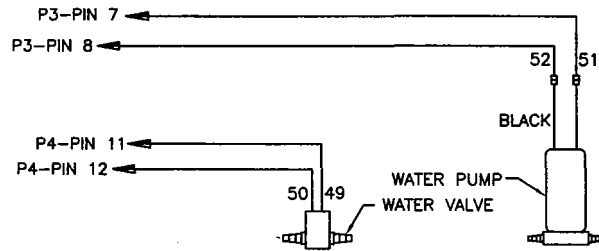
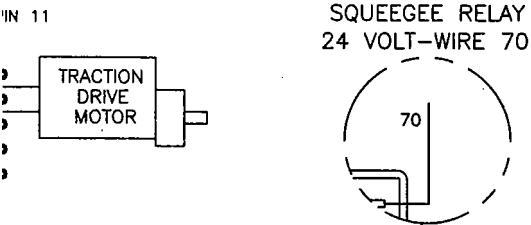
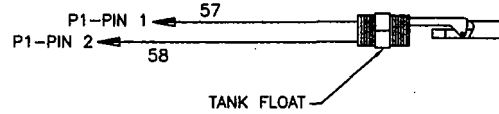
SB40/SB100 BACK PANEL ASSEMBLY



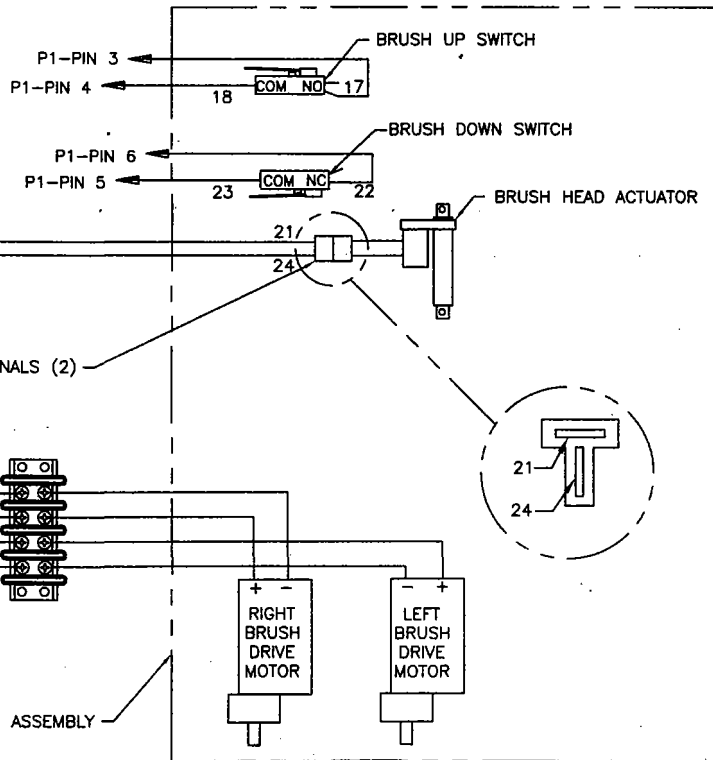
SB40/SB100 BACK PANEL PARTS LIST

DET.	PART NO.	DESCRIPTION	QUANT.	DET.	PART NO.	DESCRIPTION	QUANT.
1	035384	WDMT,SHAFT—ACTUATOR	1	24	027152	ASM,CHARGER PLUG—2 CNDCT	1
2	027076	INSULATION BARRIER—SPLASH CVR	1	25	026713	SOLENOID,DP—SWITCH, 24V	4
3	003274	NUT,HEX— 6-32,ZN PLT	4	26	001514	SCR TPG F PAN HD .250-20X.375L	16
4	004250	WSHR LK .148ID.250OD.031TSPLT	4	27	004336	WSHR FLT .281ID.875OD.125T STL	2
5	057176	TUBE,PLSTC—SLIT,.81ODX11.0"L	1	28	003363	NUT,HEX LOCK—.250-20,ZN PLT	1
6	026603	SWITCH,LVR—DPST,20A,125-250V	2	29	050575	SPACER,PHEN—.281X.875, .375L	2
7	005624	PIN,ROLL—.312DIA,1.000"L	2	30	035183	WDMT,ACTUATOR—SQUEEGEE	1
8	035463	WDMT,BACK PANEL—KA-33SS	1				
9	001248	SCR MACH RD HD 6-32X1.00L	4	31	002282	SCR CAP HEX HD .250-20X2.50L	1
10	027131	BRG,FLANGE—.500ID.750OD.500W	2	32	002371	SCR TPG F PAN HD 10-24X.625L	1
				33	027136	RELAY,DPDT—24VDC,10AMPS	1
11	004351	RING,RTNG—EXT,.500 SHAFT, "E"	2	34	005313	SCR TPG F PAN HD 8-32X.312L	2
12	003283	NUT,HEX—.250-20,ZN PLT	4	35	056623	STRAP,CONDUIT—1IN RIGID	1
13	002278	WSHR LK .262ID.489OD.062TSPLT	4	36	027137	ACTUATOR—36V,75LBS,3IN STROKE	1
14	048268	SPACER,PLSTC—.500X.625, .500L	4	37	002267	SCR CAP HEX HD .250-20X1.50L	1
15	048269	BAR,STL—.187X.750X 4.00 LONG	2	38	004254	WSHR LK .267ID.510OD.028T EXT	1
16	004369	WSHR SHLDR,250ID.562OD.120T,NY	4	39	049343	SPACER,STL—.375X.500, .437L,Z	1
17	002269	SCR CAP HEX HD .250-20X1.25L	4	40	026504	SOLENOID—SWITCH,SPNO,36VDC	4
18	056597	SPRING,COMP .480D 2.75L .045WD	2				
19	004212	WSHR LK .326ID.586OD.078TSPLT	4	41	054845	GROM—3.00ID,3.50MHD,.12PA	1
20	003242	SCR CAP HEX HD .312-18X.500L	4	42	005316	SCR TPG F PAN HD 10-24X.375L	4
				43	053296	ROD,STL—.312 DIA., 6.00 LONG	1
21	027138	CONTROL—DC,PROGRAMMABLE	1	44	004297	PIN,COTTER—.094X .750 LONG	2
22	056672	GROM—2"IDX2.44MHDX.12PA	1	45	048987	COLLAR-CENTERING SPRING	2
23	055434	GROM—1.0ID,1.25MHD,.125PA	1				

TERMINALS #02-06-2103
 TERMINALS #02-06-1103

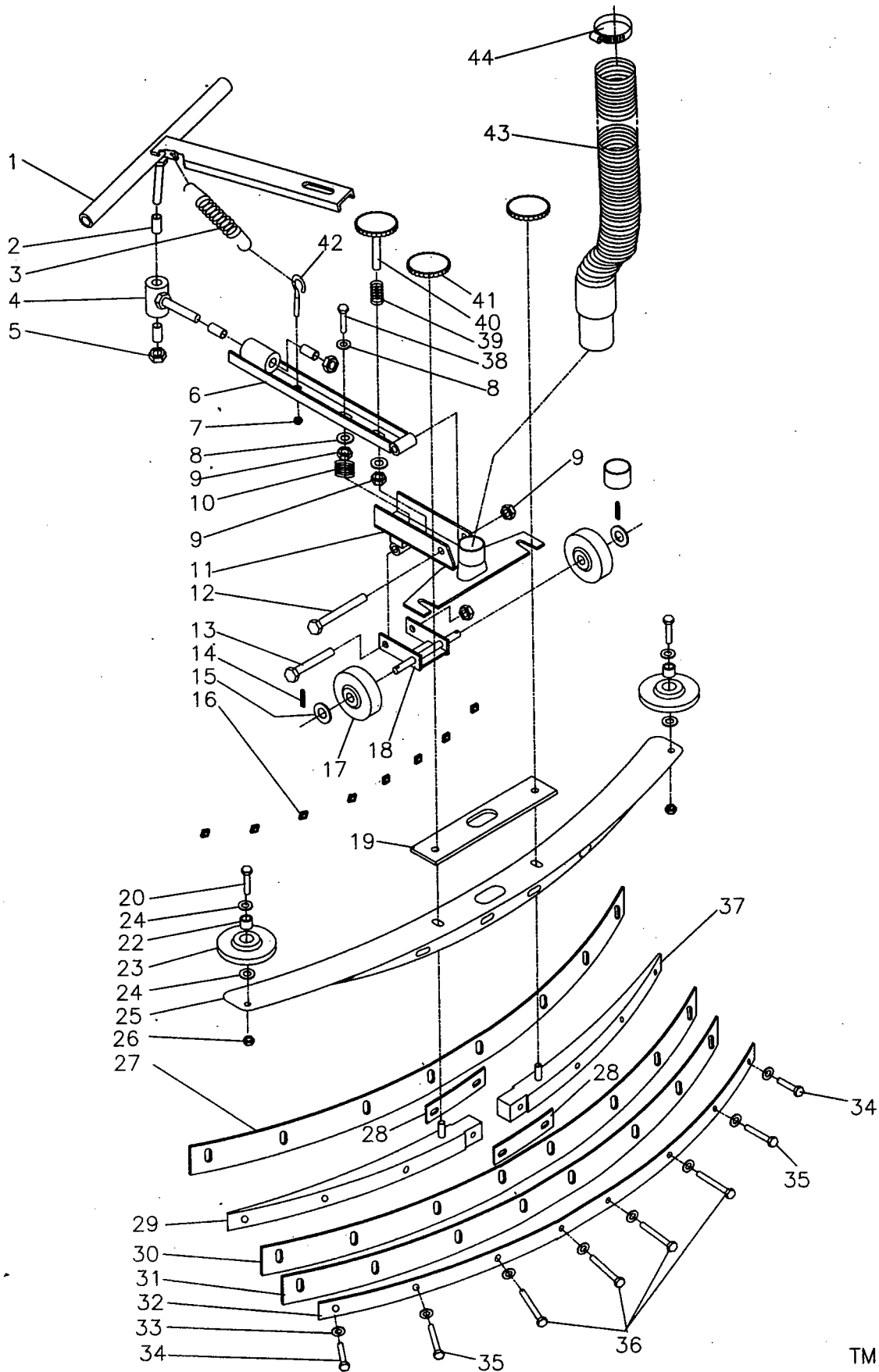


172 HOUSING
 TERMINALS (2)



9

SB40/SB100 SQUEEGEE ASSEMBLY



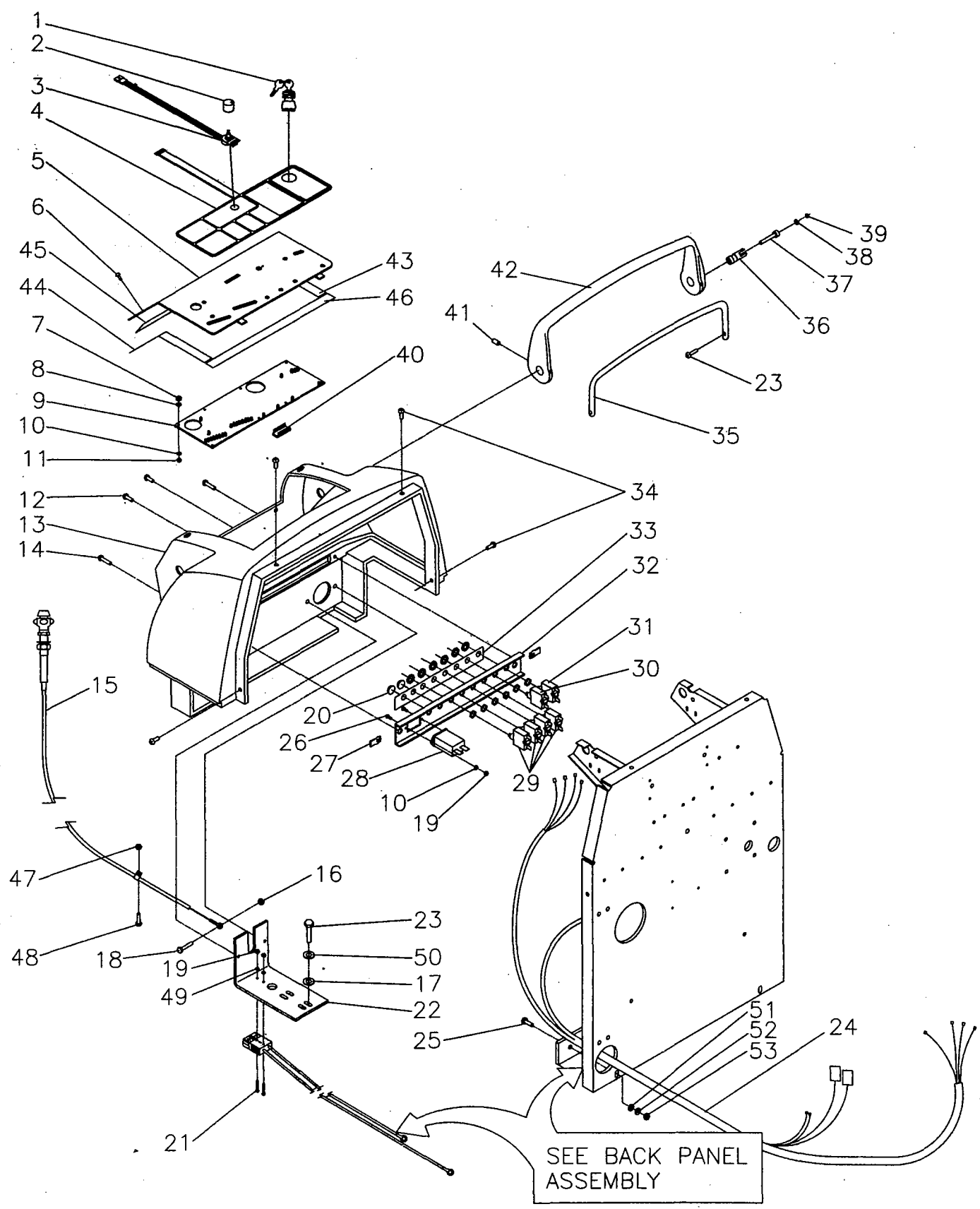
SB40/SB100 SQUEEGEE PARTS LIST

DET.	PART NO.	DESCRIPTION	QUANT.	DET.	PART NO.	DESCRIPTION	QUANT.
1	035139	WDMT,SQUEEGEE LIFT—33&39AUTO	1	24	004218	WSHR FLT .344ID.750OD.060T STL	4
2	027171	BRG,SLV—.500ID,.625OD,.750W	4	25	035101	WELDMENT,SQUEEGEE—39" AUTO	1
3	051136	SPRING,EXT .750D 2.92L .104WD	1	26	003378	NUT,HEX LOCK—.312-18,ZN PLT	2
4	035150	WDMT,SQUEEGEE PIVOT—33&39AUTO	1	27	056632	RUBBER,SQUEEGEE—FRT,39" AUTO	1
5	003370	NUT,HEX LOCK—.500-13,ZN PLT	2	28	056461	CLAMP,SQUEEGEE—11GA,5.00L	2
6	035137	WDMT,SQUEEGEE BAR—33&39AUTOS	1	29	056432	SPACER,SQUEEGEE—LEFT 39" AUTO	1
7	005479	NUT,HEX LOCK—.250-20,NYLOC,ZN	1	30	056633	RUBBER,SQUEEGEE—REAR,39AUTO	1
8	005219	WSHR FLT .406ID1.00OD.071T STL	4	31	056634	RUBBER,SQUEEGEE—BACKUP,39AUTO	1
9	003368	NUT,HEX LOCK—.375-16,ZN PLT	4	32	056635	STRAP,SQUEEGEE—39" AUTO	1
10	056808	SPRING,COMP—.970D,.750L,.072W	1	33	004531	WSHR FLT .281ID.625OD.080T,SS	8
11	035138	WDMT,SQUEEGEE BRACKET—33&39	1	34	002454	SCR CAP HEX HD .250-20X1.50L	2
12	002445	SCR CAP HEX HD .375-16-2.50L	1	35	002476	SCR CAP HEX HD .250-20X2.00L	2
13	003268	SCR CAP HEX HD .375-16X3.00L	1	36	002455	SCR CAP HEX HD .250-20X2.50L	4
14	005383	PIN,COTTER—.094X1.000 LONG	2	37	056431	SPACER,SQUEEGEE—RIGHT,39" AUT	1
15	004223	WSHR FLT .406ID.625OD.036T STL	2	38	002332	SCR CAP HEX HD .375-16X1.75L	1
16	005591	NUT,SELF RETAINING—.250-20	8	39	056585	SPRING,COMP .845D 1.75L .085WD	1
17	057193	WHEEL,PLASTIC—3"OD,3/8"BORE	2	40	035163	ASM,KNOB—ADJUSTMENT,.375-16	1
18	034172	WDMT,BRACKET—SQUEEGEE WHEEL	1	41	047484	KNOB	2
19	056466	GASKET,SQUEEGEE—.187X2.9.75L	1	42	005594	BOLT,EYE—.250-20,X1.0 SHANK	1
20	003249	SCR CAP HEX HD .312-18X1.25L	2	43	035302	ASM,HOSE—SQUEEGEE,1.5DIA,BLK	1
22	053699	SPACER,STL—.312X.437,.43L	2	44	046688	CLAMP,HOSE—1.75 MAX DIA,WORM	1
23	053720	WHEEL—4.00DIA,.438BORE,.688HB	2				

AVAILABLE ASSEMBLIES

- 035099 ASM, SQUEEGEE--INCLUDES ITEMS 16, 19-37
 035140 ASM, SQUEEGEE LINKAGE--INCLUDES ITEMS 1-18, 38-41

SB40/SB100 REAR COVER ASSEMBLY



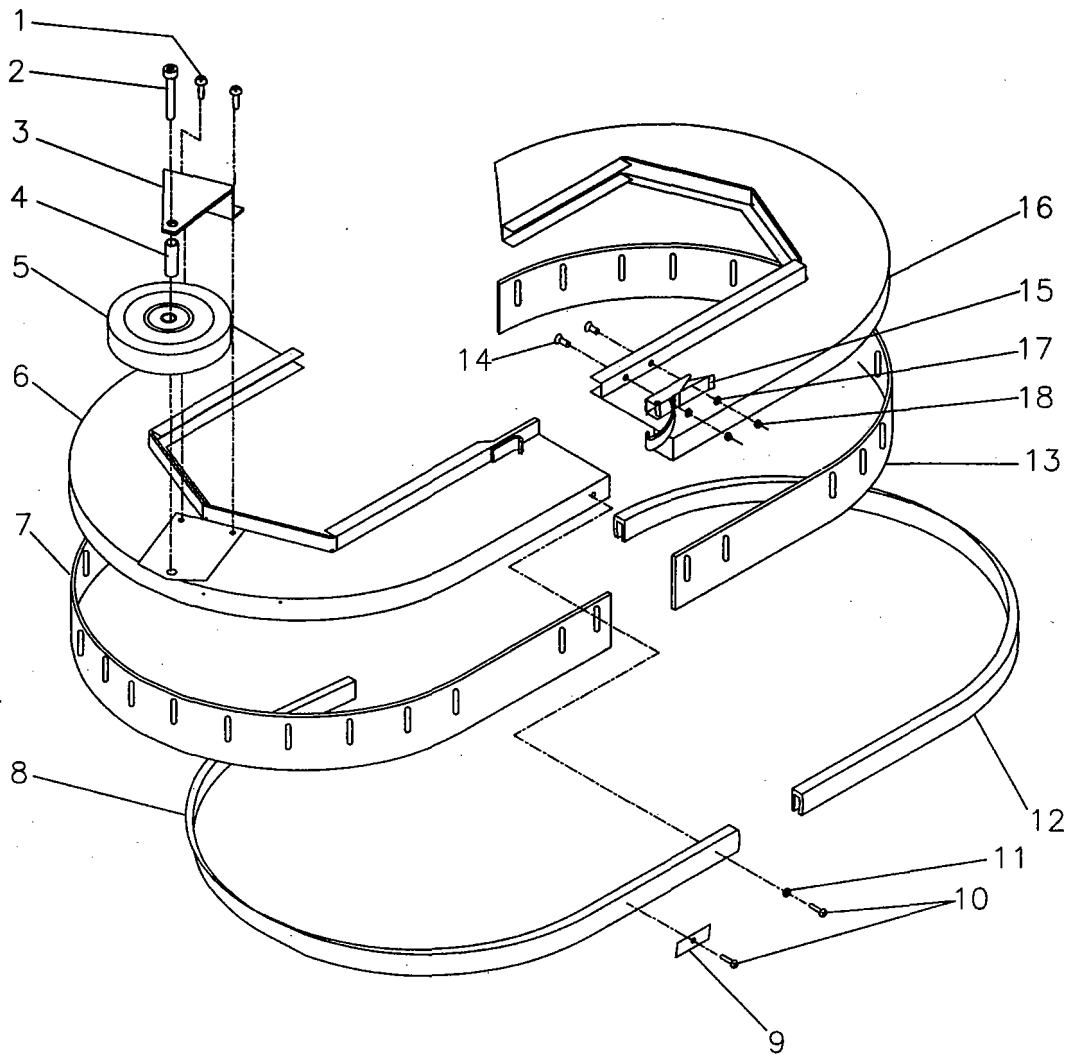
SB40/SB100 REAR COVER PARTS LIST

DET. PART NO.	DESCRIPTION	QUANT.	DET. PART NO.	DESCRIPTION	QUANT.		
1	026584	STARTER-SWITCH-LOCKING	1	28	027147	HOURMETER—10-80VDC,RECTANG	1
2	056596	KNOB,PLASTIC—BLACK,.92DIA X.95	1	29	026198	CIRCUIT BREAKER—30AMP,SCR TRM	4
3	027157	ASM,POTENTIOMETER—W/PLUG	1	30	026751	CIRCUIT BREAKER—10AMP	1
4	027128	SWITCH PANEL—MEMBRANE,AUTOS	1	31	027146	CIRCUIT BREAKER—1.5AMP	1
5	035128	WDMT,INSTR PANEL—33&39	1	32	056499	PANEL,CIRCUIT BREAKER—AUTOS	1
6	002382	SCR TPG F PAN HD 10-B X.500L	6	33	056649	LABEL,IDENT—CIRCUIT BREAKERS	1
7	046425	SPACER,PHEN—.250X.437,.250L	8	34	002371	SCR TPG F PAN HD 10-24X.625L	4
8	004200	WSHR FLT,.156ID.310OD.065T BRS	8	35	056595	HANDLE,STL—.625DIA,PAINTED	1
9	026114	BOARD,CIRCUIT—SYSTEM,39AUTO	1	36	056359	SHAFT,STL—.750DIA,1.75L	2
10	004249	WSHR LK .150ID.320OD.022T EXT	10	37	002337	SCR CAP SOC HD .250-20X1.50L	2
11	003274	NUT,HEX— 6-32,ZN PLT	8	38	004208	WSHR FLT .281ID.500OD.036T STL	2
12	002343	SCR TPG F PAN HD .250-20X.500L	2	39	056761	RING,RTNG—INT,.500BORE,N5000	2
13	056368	COVER,REAR—MACHINED,AUTOS	1	40	027156	MICROCONTROLLER—STD	1
14	002334	SCR MACH RD HD .250-20X.750L	2	41	005387	SCR SET CUP PT .312-18X.500L	2
15	056323	ASM,CABLE—BRAKE,VERNIER CNTRL	1	42	056594	HANDLE,ACTUATOR—AUTOS,PAINTED	1
16	005479	NUT,HEX LOCK—.250-20,NYLOC,ZN	2	43	057308	GASKET—.125x.500,8.656L,LEFT	1
17	004254	WSHR LK .267ID.510OD.028T EXT	4	44	057309	GASKET—.125x.500,8.656I	1
18	005456	SCR MACH PAN HD 10-24X.500L	2	45	057310	GASKET—.125x.500,11.75L	1
19	003274	NUT,HEX— 6-32,ZN PLT	4	46	057306	GASKET—.125x.500,13.75L,TOP	1
20	057103	PLUG,BUTTON—.500MHD,BLACK,PLS	2	47	005480	NUT,HEX LOCK— 10-24,NYLOC	1
21	001248	SCR MACH RD HD 6-32X1.00L	2	48	002243	SCR CAP HEX HD .250-20X.625L	1
22	056840	BRACKET,STL—11GA,BRAKE	1	49	004250	WSHR LK .148ID.250OD.031TSPLT	2
23	005478	SCR MACH RD HD .250-20X.500L	2	50	002278	WSHR LK .262ID.489OD.062TSPLT	2
24	027140	HARNESS,WIRE—MAIN,DURASCRUB	1	51	004218	WSHR FLT .344ID.750OD.060T STL	2
25	003244	SCR CAP HEX HD .312-18X.750L	2	52	004212	WSHR LK .326ID.586OD.078TSPLT	2
26	223188	SCR MACH PAN HD 6-32X.500L	2	53	003349	NUT,HEX—.312-18,ZN PLT	2
27	003429	NUT,SPEED,U—.250-20,.58X1.125	2	54	057243	KEY,AUTOMATICS—FOR P/N 026584	1

AVAILABLE ASSEMBLIES

035127 ASM, INSTRUMENT PANEL--INCLUDES ITEMS 1, 2, 4, 5, 7-11, 40, 43-46

SB40/SB100 BRUSH COVER ASSEMBLY



TM-1462

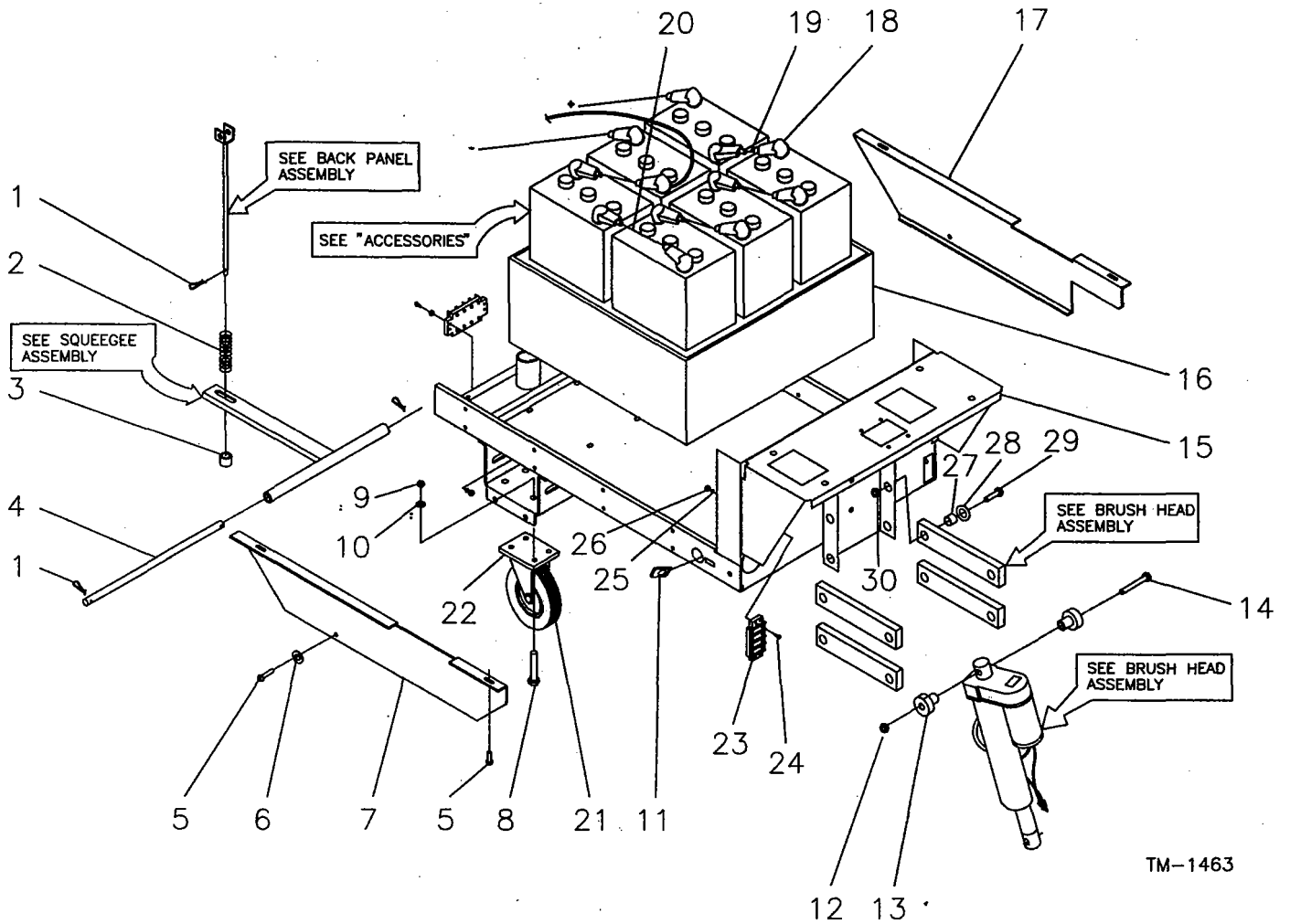
DET. PART NO.	DESCRIPTION	QUANT.	DET. PART NO.	DESCRIPTION	QUANT.		
1	002357	SCR MACH PAN HD .250-20X.625L	2	10	004542	SCR TPG F PAN HD 10-24X.875L	28
2	005536	SCR CAP SOÇ HD .375-16X2.00L	1	11	005323	WSHR FLT .203ID.500OD.036T STL	4
3	056120	BRACKET—BRUSH HEAD GUIDE	1	12	056729	CHANNEL,RUBBER—BRUSH CVR,39,L	1
4	056684	SPACER,STL—.500X17GA,1.50L,Z	1	13	056668	GUARD,SPLASH—.25X3.00,39,LEFT	1
5	056673	WHEEL,BLACK—5" OD	1	14	001288	SCR MACH FLAT HD 10-24X.500L	2
6	035112	WDMT,BRUSH COVER—39 AUTO,RT	1	15	054306	CLAMP,TOGGLE—BLACK,1.62 LATCH	1
7	056730	GUARD,SPLASH—.25X3.00,39,RH	1	16	035113	WDMT,BRUSH COVER—39 AUTO,LEFT	1
8	056731	CHANNEL,RUBBER—BRUSH CVR,39,R	1	17	003279	NUT,HEX— 10-24,ZN PLT	2
9	052006	STR,STL—.062X.437X1.50 LONG	24	18	005297	WSHR LK .200ID.334OD.047TSPLT	2

AVAILABLE ASSEMBLIES

- 035213 ASM, BRUSH COVER, LEFT--INCLUDES ITEMS 9-18
- 035214 ASM, BRUSH COVER, RIGHT--INCLUDES ITEMS 1-11

TM-1462

SB40/SB100 FRAME ASSEMBLY AND PARTS LIST

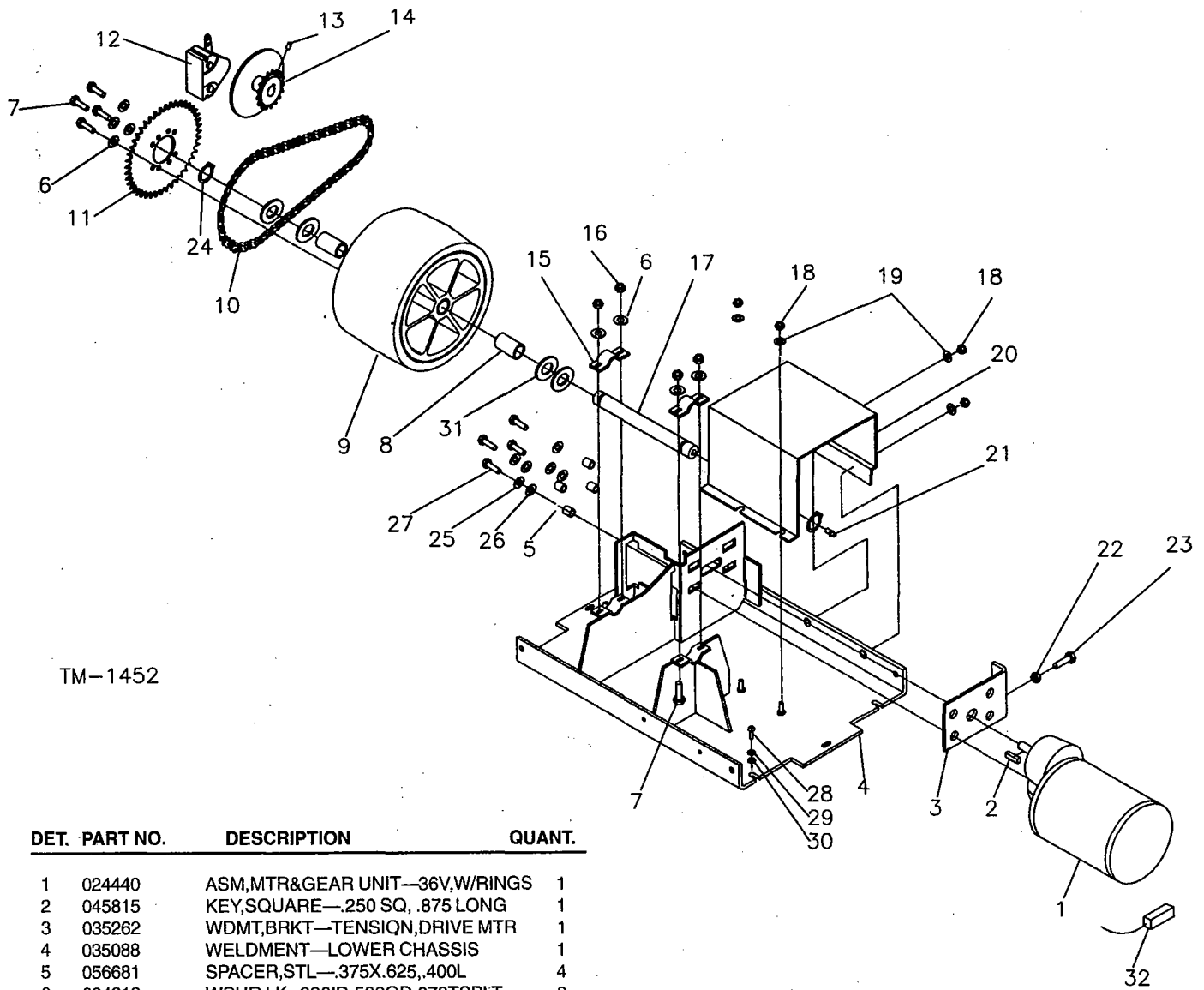


TM-1463

DET. PART NO.	DESCRIPTION	QUANT.	DET. PART NO.	DESCRIPTION	QUANT.		
1	004352	PIN, LOCK—.125 DIA WIRE	3	16	053534	BOX, BATT—32" AUTO'S, MACHINED	1
2	056618	SPRING, COMP—.845D, 3.50L, 100WD	1	17	056357	SKIRT, LOWER—LEFT, DURASCRUB	1
3	056683	SPACER, STL—.391X.625,.500L,Z	1	18	054186	BOOT, INSULATOR—BATT TERMINALS	12
4	056371	SHAFT, STL—.375 DIA, 14.62L	1	19	025085	ASM, WIRE—6GA, BLK, 10.2L, RINGS	4
5	002480	SCR MACH PAN HD .250-20X.625L	6	20	025274	ASM, WIRE—6GA, BLK, 14.0L, RINGS	1
6	004254	WSHR LK .267ID.510OD.028T EXT	6	21	039563	KIT, WHEEL&AXLE—FOR 055658	2
7	056358	SKIRT, LOWER—RIGHT, DURASCRUB	1	21	055658	CASTER, SWIVEL—5.0 DIA, 700 LB	2
8	003262	SCR CAP HEX HD .375-16X1.00L	8	23	026111	TERMINAL BLOCK—4 GERM, 50AMP	2
9	003293	NUT, HEX—.375-16,ZN PLT	8	24	005457	SCR MACH PAN HD 10-24X1.00L	8
10	004214	WSHR LK .390ID.683OD.094TSPLT	8	25	004253	WSHR LK .204ID.410OD.025T EXT	8
11	003429	NUT, SPEED,U—.250-20,.58X1.125	4	26	003279	NUT, HEX— 10-24,ZN PLT	8
12	005279	NUT, HEX LOCK—.375-16, NYLOC	1	27	056473	SPACER, STL—.531X.750C .218L,Z	4
13	054502	BSHG, SLV—.377ID.498OB1.00FLNG	2	28	004238	WSHR FLT .531ID1.00OD.071T STL	4
14	003267	SCR CAP HEX HD .375-16X2.75L	1	29	003270	SCR CAP HEX HD .500-13X1.25L	4
15	035089	WDMT—UPPER CHASSIS	1	30	003370	NUT, HEX LOCK—.500-13,ZN PLT	4

TM-1463

SB40/SB100 CHASSIS ASSEMBLY AND PARTS LIST



TM-1452

DET.	PART NO.	DESCRIPTION	QUANT.
1	024440	ASM,MTR&GEAR UNIT—36V,W/RINGS	1
2	045815	KEY,SQUARE—.250 SQ, .875 LONG	1
3	035262	WDMT,BRKT—TENSION,DRIVE MTR	1
4	035088	WELDMNT—LOWER CHASSIS	1
5	056681	SPACER,STL—.375X.625,.400L	4
6	004212	WSHR LK .326ID.586OD.078TSPLT	8
7	003244	SCR CAP HEX HD .312-18X.750L	8
8	027130	BEARING,SLEEVE—1"ID,1.25"OD	2
9	035097	ASM,WHEEL—10"OD,AUTO'S	1
10	056448	CHAIN,ROLLER—#40,70LK&CONN	1
11	051376	SPROCKET,CHAIN—#40,.500P,44T	1
12	056245	BRAKE,MECHANICAL—CALIPER	1
13	002234	SCR SET CUP PT .250-20X.500L	1
14	035141	WDMT,SPROCKET—DURASCRUB	1
15	056327	CLAMP,AXLE—BLACK	2
16	003349	NUT,HEX—.312-18,ZN PLT	4
17	056258	AXLE—1.00 DIA X 9-5/16"L	1
18	003283	NUT,HEX—.250-20,ZN PLT	4
19	002278	WSHR LK .262ID.489OD.062TSPLT	4
20	056405	COVER,MOTOR—AUTOMATICS	1
21	054330	ZERK,GREASE—.250-28 THREAD	1

DET.	PART NO.	DESCRIPTION	QUANT.
22	003294	NUT,HEX JAM—.375-16,ZN PLT	1
23	002332	SCR CAP HEX HD .375-16X1.75L	1
24	048537	RING,RTNG—EXT,.984 SHAFT,5160	2
25	004214	WSHR LK .390ID.683OD.094TSPLT	4
26	004384	WSHR FLT .406ID.875OD.064T STL	4
27	003264	SCR CAP HEX HD .375-16X1.25L	4
28	003259	SCR CAP HEX HD .375-16X.625L	4
29	004215	WSHR LK .398ID.694OD.040T EXT	4
30	004318	WSHR FLT .375ID1.06OD.120T STL	4
31	004330	WSHR FLT 1.05ID1.50OD.036T STL	4
32	039276	BRUSH,MTR—FOR 024372&027153	4

AVAILABLE ASSEMBLIES

035096 ASM, LOWER CHASSIS--INCLUDES ITEMS 1-32

TM-1452